



XingYue Communication Technology Co., Ltd.

Product Name: Ceiling Mount Antenna

Product Model: XY123701

Electrical Specifications	
Frequency Range	1710-2700MHz
Polarization Type	Vertical / Horizontal
Gain	3.5±1dBi
VSWR	≤1.5:1
Horizontal Beamwidth	360°
Vertical Beamwidth	75° ±5°
Input Impedance	50 Ω
Max Power	50W
Lightning Protection	DC Ground
Mechanical Specifications	
Connector Type	2*N Female
Dimensions (D*H)	φ186*80mm(7.3*3.15in)
Radiating Element Material	Aluminum
Reflector Material	Aluminum
Weight	0.25kg
Radome Material	UABS
Radome Color	White
Mounting	Ceiling Mounting
Cable	RG141
Operating Temperature	-40°C~60°C



Add:No.11 GuangMing new RD, DongCheng area, DongGuan City,China

Tel: +86 - 769-22333955

E-mail: xingyue@xytx86.com

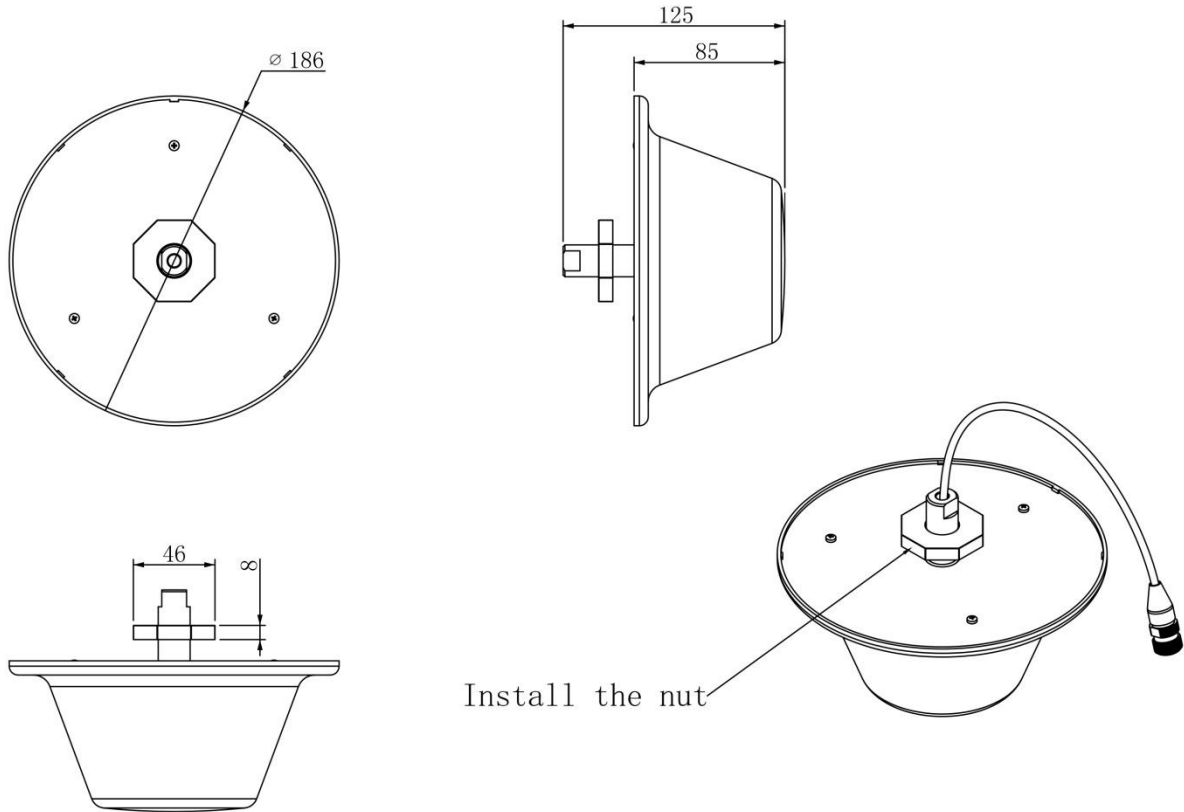
Fax: +86 - 769-22000020

Website: <http://xytx86.com>

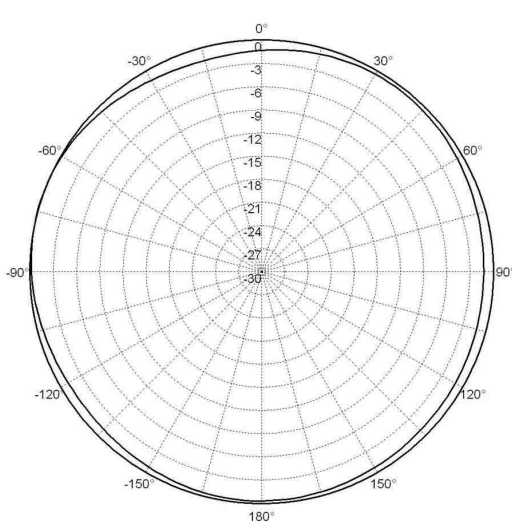


XingYue Communication Technology Co., Ltd.

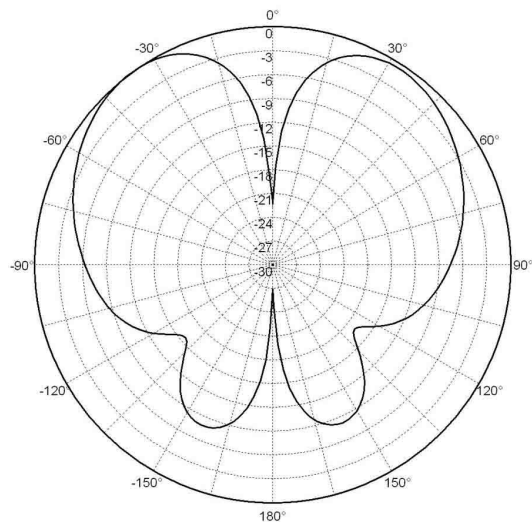
Product Diagram:



Directional Pattern:



Horizontal Pattern



Vertical Pattern

Add: No.11 GuangMing new RD, DongCheng area, DongGuan City, China

Tel: +86 - 769-22333955

E-mail: xingyue@xytx86.com

Fax: +86 - 769-22000020

Website: <http://xytx86.com>