



XingYue Communication Technology Co., Ltd.

Product Name: Ceiling Mount Antenna (20w)

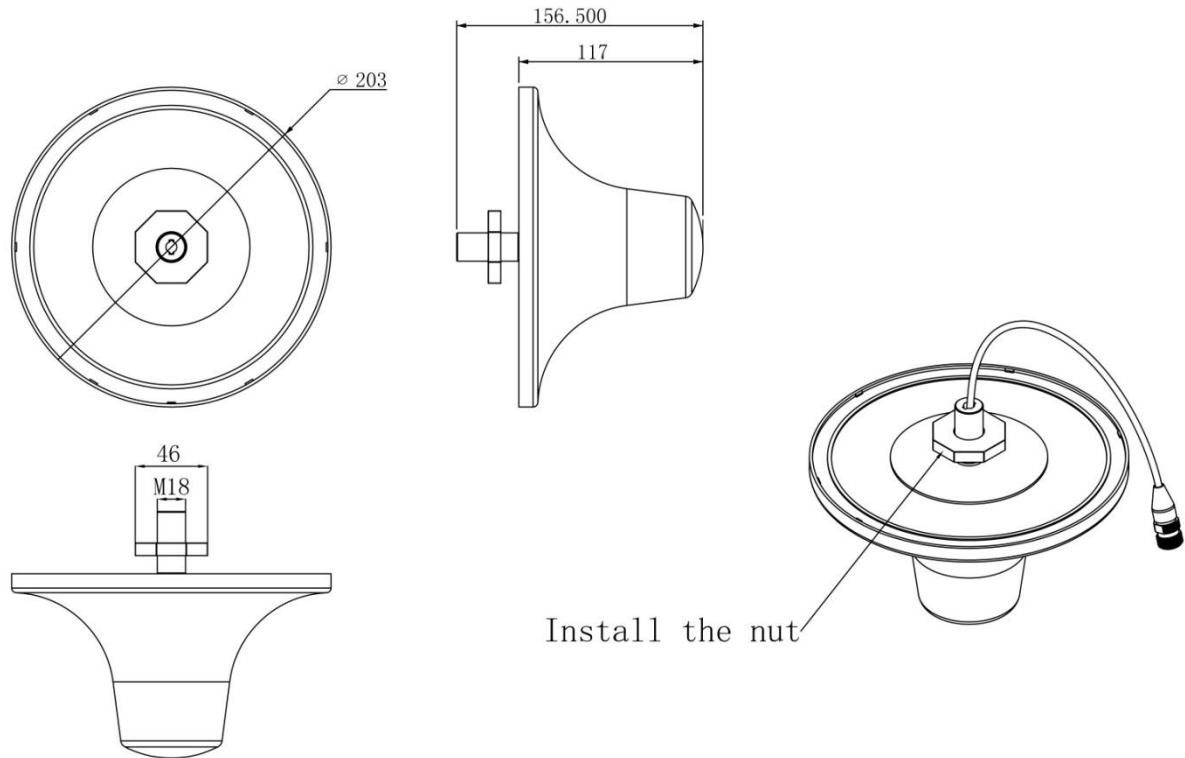
Product Model: XY113617

Electrical Specifications			
Frequency Range	698-800MHz	800-960MHz	1710-2700MHz
Polarization Type	Vertical		
Gain	2.0±0.5dBi	2.5±0.5dBi	5.5±1dBi
VSWR	≤1.5:1	≤1.5:1	≤1.5:1
Horizontal Beamwidth	360°	360°	360°
Vertical Beamwidth	90°±10°	80°±10°	50°±10°
Out of Roundness	±1°	±1°	±1.5°
PIM (2*43dBm)	≤-150dBc		
Input Impedance	50Ω		
Max Power	50W		
Lightning Protection	DC Ground		
Mechanical Specifications			
Connector Type	N Female		
Dimensions (D*H)	φ203*117mm(φ8.0*4.6in)		
Radiating Element Material	Aluminum		
Reflector Material	Aluminum		
Weight	0.45kg		
Radome Material	UABS		
Radome Color	White		
Mounting	Ceiling Mounting		
Cable	RG141		
Operating Temperature	-40°C~60°C		

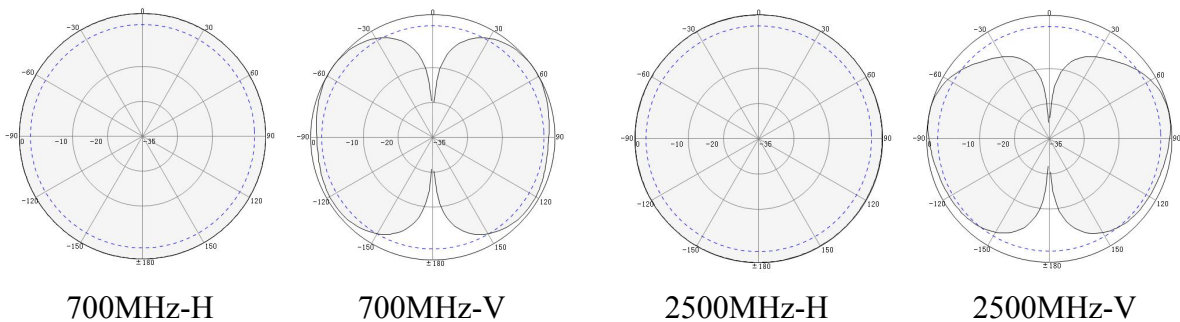


Add:No.11 GuangMing new RD, DongCheng area, DongGuan City,China
Tel: +86 - 769-22333955 **Fax:** +86 - 769-22000020
E-mail:xingyue@xytx86.com **Website:**<http://xytx86.com>

Product Diagram:



Directional Pattern:



PS:

H: Horizontal Pattern

V: Vertical Pattern