



# XingYue Communication Technology Co., Ltd.

**Product Name: Panel Antenna**

**Product Model: XY221902**

## Electrical Specifications

Frequency Range	2400-2500MHz	5150-5850MHz
Polarization Type	Vertical / Horizontal	
Gain	8±1 dBi	8±1 dBi
VSWR	≤1.7:1	≤1.7:1
Horizontal Beamwidth	65°±5°	65°±5°
Vertical Beamwidth	60°±5°	60°±5°
Front-to-back Ratio	≥22dB	≥25dB
Isolation	≥25dB	
Input Impedance	50Ω	
Max Power	50W	
Lightning Protection	DC Ground	

## Mechanical Specifications

Connector Type	2*N Female
Dimensions (L*W*H)	185*85*25mm(7.2*3.3*1in)
Radiating Element Material	Aluminum
Reflector Material	Aluminum
Weight	0.6kg
Radome Material	UABS
Radome Color	White
Mounting Pole	Φ40~65mm
Operating Temperature	-40°C~60°C
Max Wind Velocity	200 km/h

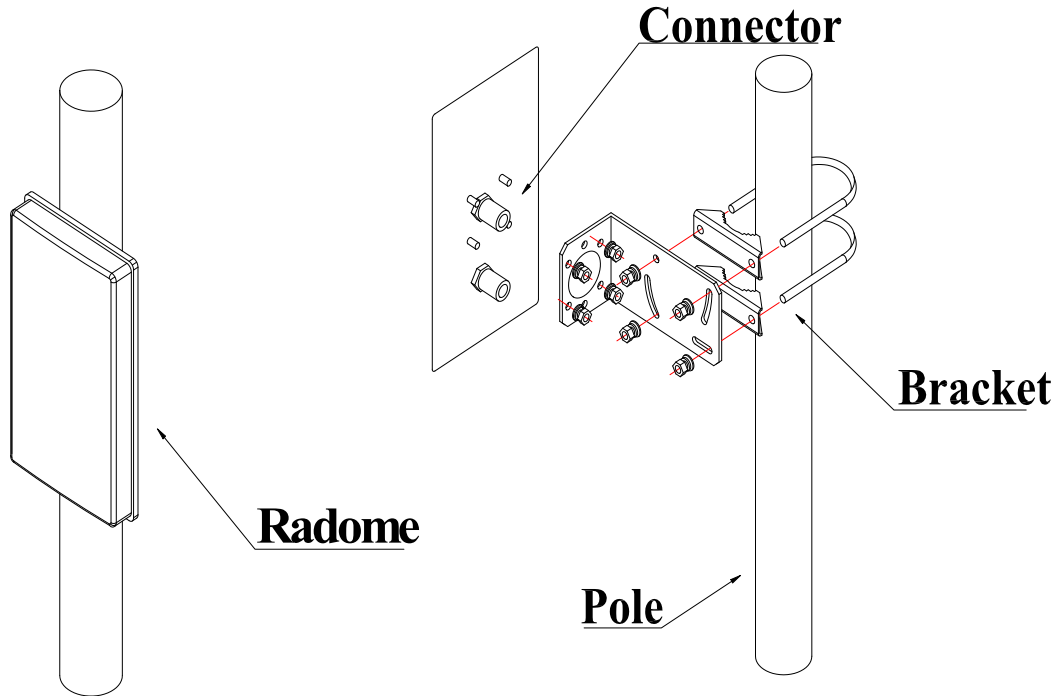


**Add:**No.11 GuangMing new RD, DongCheng area, DongGuan City,China  
**Tel:** +86 - 769-22333955  
**E-mail:**xingyue@xytx86.com

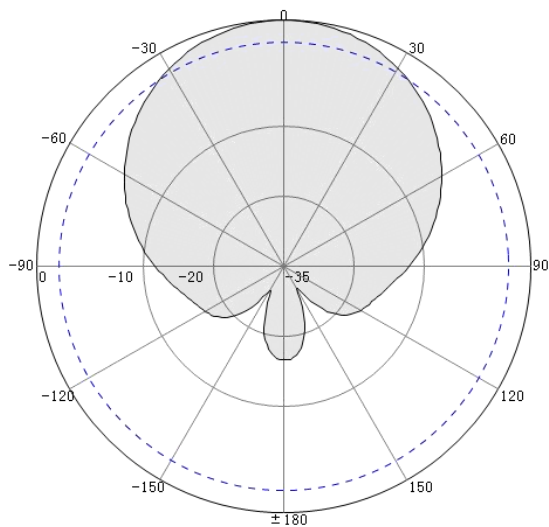
**Fax:** +86 - 769-22000020

**Website:**<http://xytx86.com>

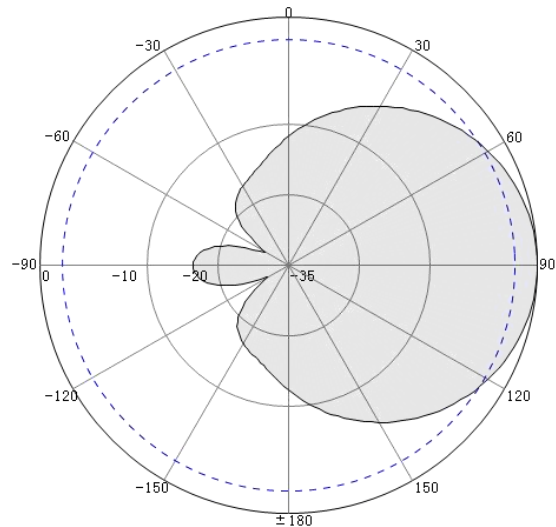
## Installation Guide:



## Directional Pattern:



Horizontal Pattern



Vertical Pattern