



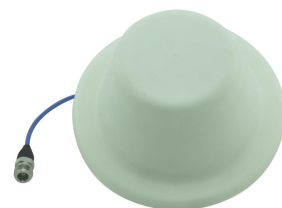
XingYue Communication Technology Co., Ltd.

Product Name: LTE Ceiling Mount Antenna

Product Model: XY113604

Electrical Specifications

Frequency Range	698-800MHz	800-960MHz	1710-2700MHz
Polarization Type	Vertical		
Gain	3±1dBi	3.5±1dBi	5±1dBi
VSWR	≤1.8:1	≤1.5:1	≤1.5:1
Horizontal Beamwidth	360°	360°	360°
Vertical Beamwidth	70°±5°	70°±5°	45°±5°
Out of Roundness	±1.5 dB	±1 dB	±1 dB
Input Impedance	50Ω		
Max Power	50W		
Lightning Protection	DC Ground		



Mechanical Specifications

Connector Type	N Female
Dimensions (D*H)	φ186*80mm(φ7.33*3.15in)
Radiating Element Material	Aluminum
Reflector Material	Aluminum
Weight	0.45kg
Radome Material	UABS
Radome Color	White
Mounting	Ceiling Mounting
Cable Material	RG58U
Operating Temperature	-40°C~60°C

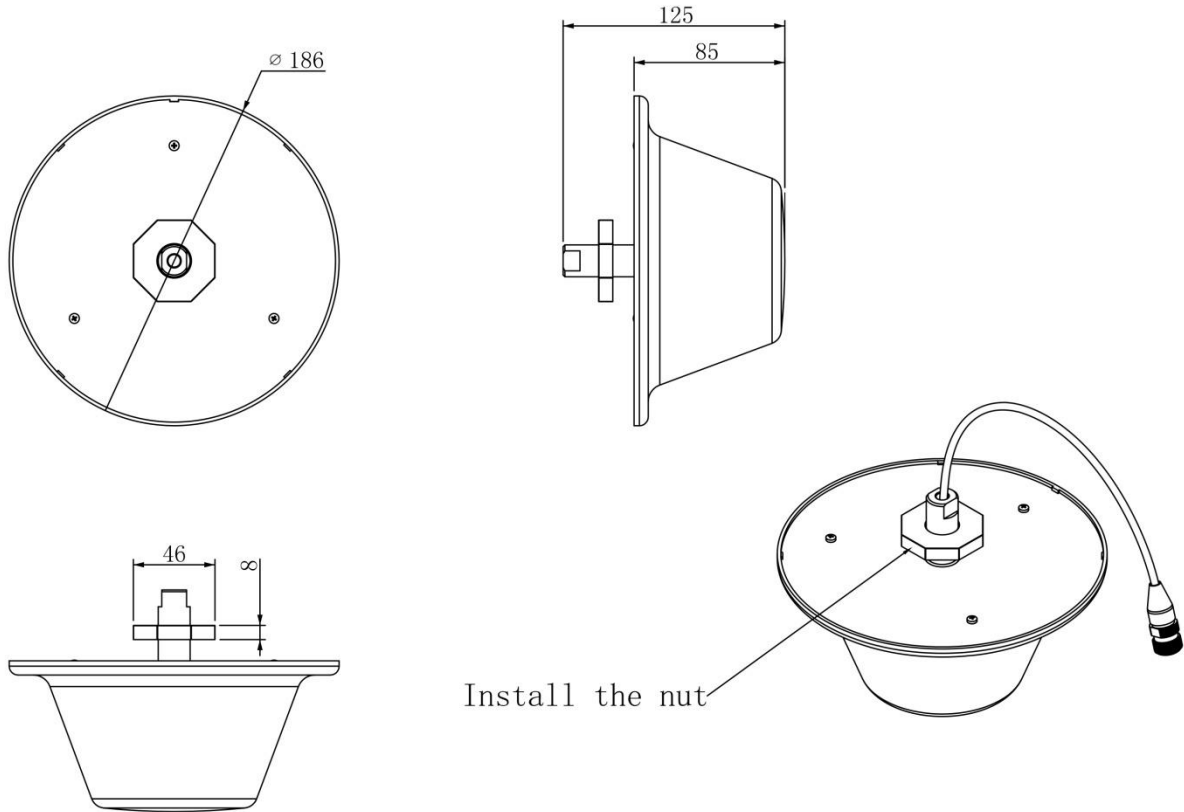
Add:No.11 GuangMing new RD, DongCheng area, DongGuan City,China
Tel: +86 - 769-22333955
E-mail:xingyue@xytx86.com

Fax: +86 - 769-22000020
Website:<http://xytx86.com>

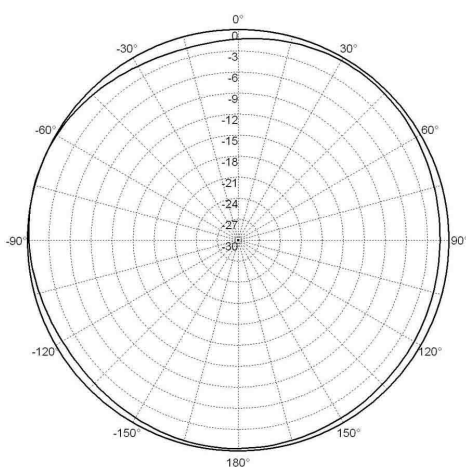


XingYue Communication Technology Co., Ltd.

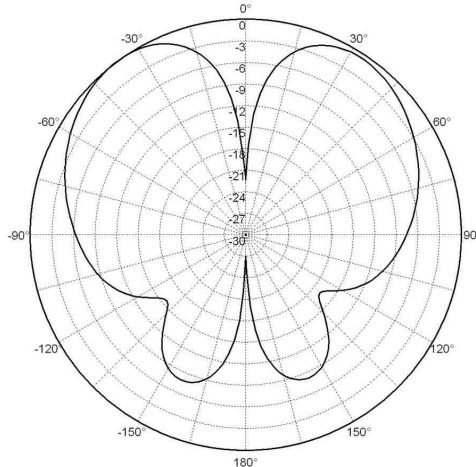
Product Diagram:



Directional Pattern:



Horizontal Pattern



Vertical Pattern