



# XingYue Communication Technology Co., Ltd.

**Product Name: LTE Ceiling Mount Antenna**

**Product Model: XY113607**

Electrical Specifications			
Frequency Range	698-800MHz	800-960MHz	1710-2700MHz
Polarization Type	Vertical		
Gain	2±1dBi	3.5±1dBi	5±1dBi
VSWR	≤1.5:1		
Horizontal Beamwidth	360°	360°	360°
Vertical Beamwidth	70°±5°	60°±5°	40°±5°
Out of Roundness	±1.5 dB	±1 dB	±1 dB
PIM (2*33dBm)	≤-107dBm		
Input Impedance	50Ω		
Max Power	50W		
Lightning Protection	DC Ground		
Mechanical Specifications			
Connector Type	N Female		
Dimensions (D*H)	φ186*80mm(φ7.33*3.15in)		
Radiating Element Material	Aluminum		
Reflector Material	Aluminum		
Weight	0.55kg		
Radome Material	UABS		
Radome Color	White		
Mounting	Ceiling Mounting		
Cable	RG141		
Operating Temperature	-40°C~60°C		

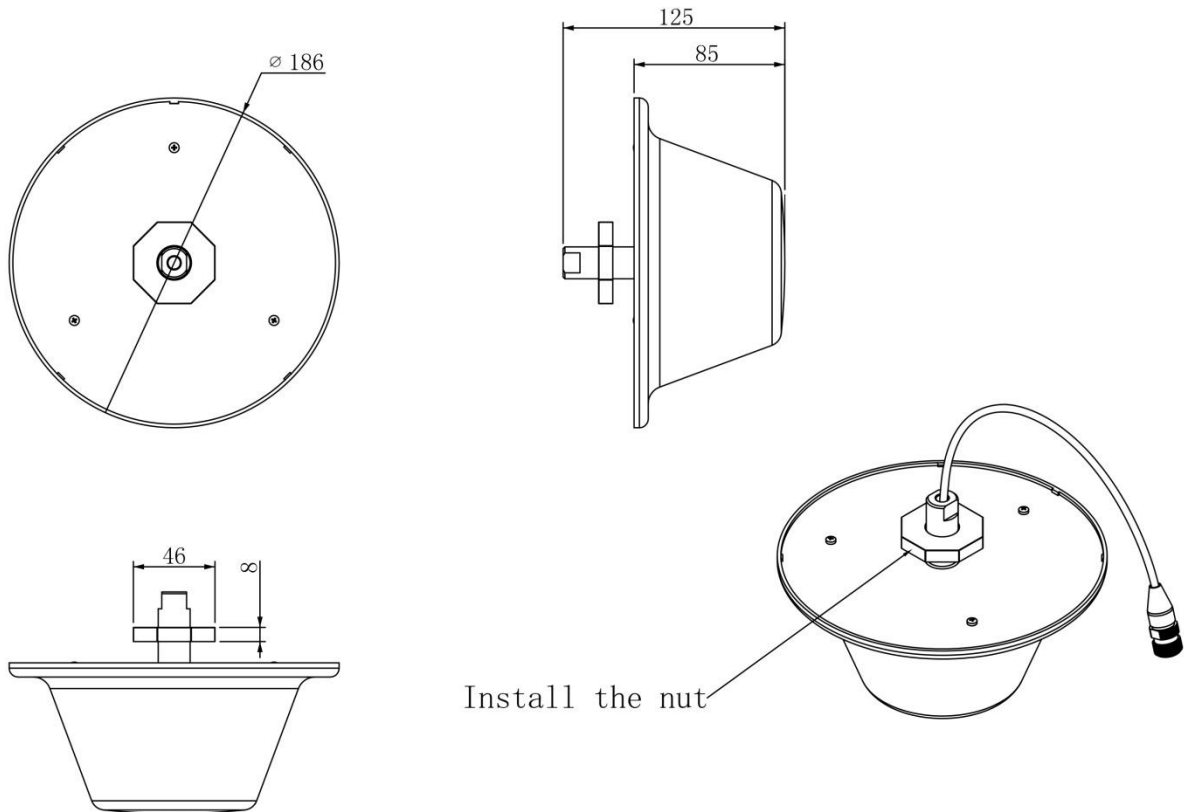


**Add: No.11 GuangMing new RD, DongCheng area, DongGuan City, China**  
**Tel: +86 - 769-22333955** **Fax: +86 - 769-22000020**  
**E-mail: [xingyue@xytx86.com](mailto:xingyue@xytx86.com)** **Website: <http://xytx86.com>**

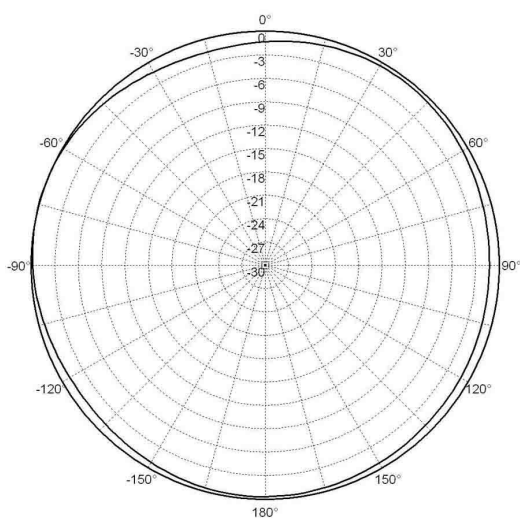


# XingYue Communication Technology Co., Ltd.

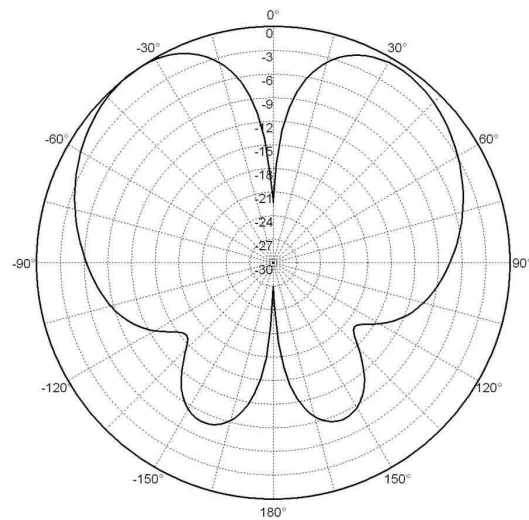
## Product Diagram:



## Directional Pattern:



Horizontal Pattern



Vertical Pattern