



XingYue Communication Technology Co., Ltd.

Product Name: LTE Ceiling Mount Antenna

Product Model: XY123610

Electrical Specifications			
Frequency Range	698-800MHz	800-960MHz	1710-2700MHz
Polarization Type	Vertical		
Gain	2.5±0.5dBi	4.5±0.5dBi	5.5±0.5dBi
VSWR	≤1.6:1	≤1.5:1	≤1.5:1
Horizontal Beamwidth	360°	360°	360°
Vertical Beamwidth	80° ±5°	70° ±5°	50° ±5°
Isolation	≥16 dB	≥19 dB	≥22 dB
PIM (2*43dBm)	≤-107dBm		
Input Impedance	50 Ω		
Max Power	50W		
Lightning Protection	DC Ground		
Mechanical Specifications			
Connector Type	2*N Female		
Dimensions (D*H)	φ 204*70mm(φ 8.03*2.76in)		
Radiating Element Material	Aluminum		
Reflector Material	Aluminum		
Weight	0.41kg		
Radome Material	UABS		
Radome Color	White		
Mounting	Ceiling Mounting		
Cable	RG141		
Operating Temperature	-40°C~60°C		



Add:No.11 GuangMing new RD, DongCheng area, DongGuan City,China

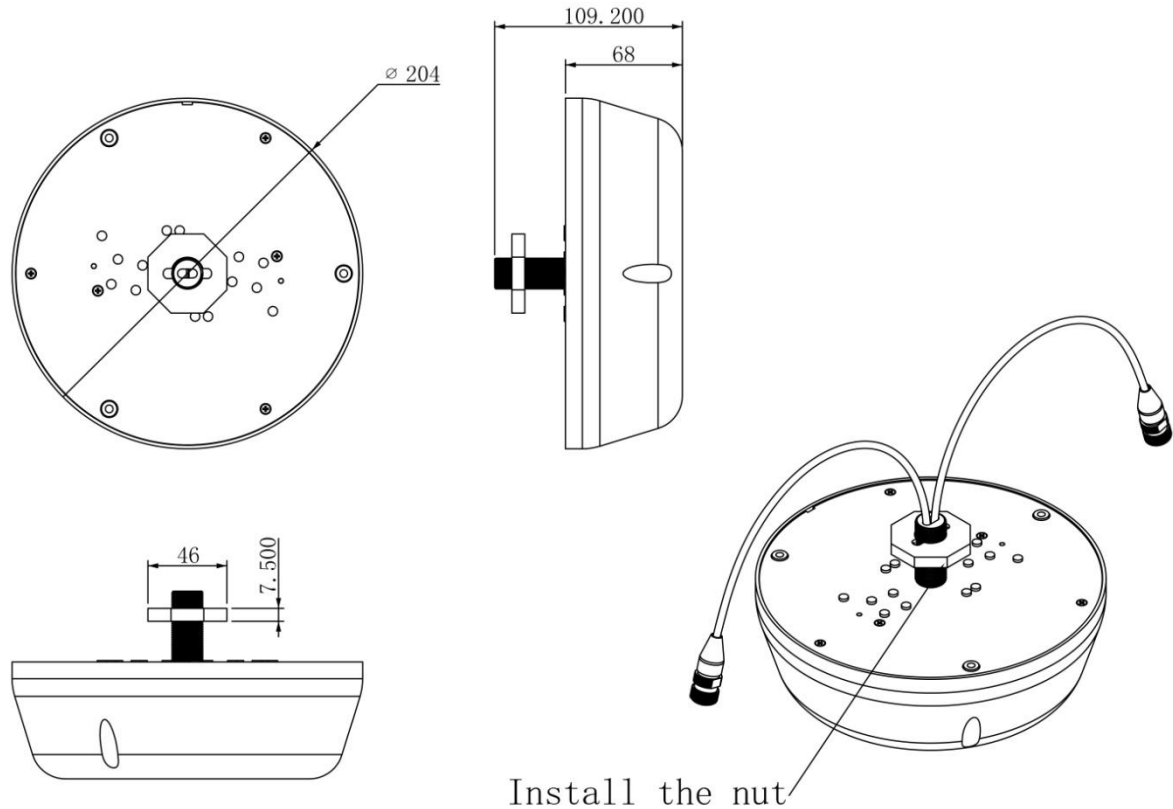
Tel: +86 - 769-22333955

E-mail: xingyue@xytx86.com

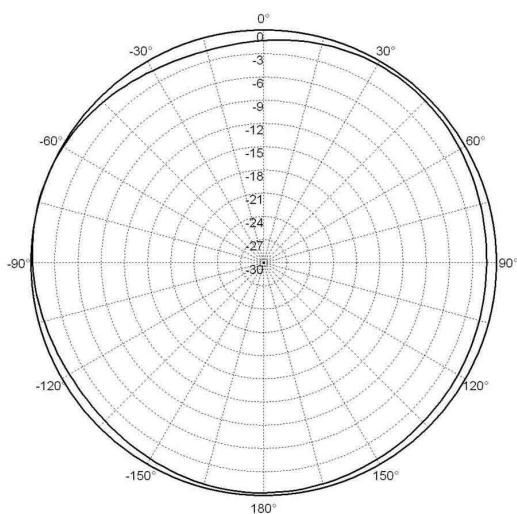
Fax: +86 - 769-22000020

Website: <http://xytx86.com>

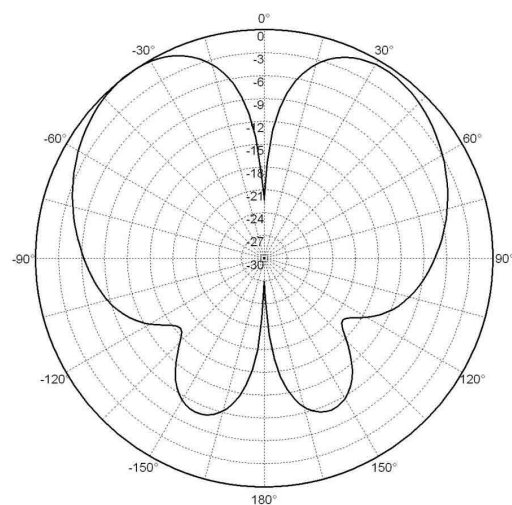
Product Diagram:



Directional Pattern:



Horizontal Pattern



Vertical Pattern

Add:No.11 GuangMing new RD, DongCheng area, DongGuan City,China

Tel: +86 - 769-22333955

E-mail: xingyue@xytx86.com

Fax: +86 - 769-22000020

Website: <http://xytx86.com>