



XingYue Communication Technology Co., Ltd.

Product Name: Spotlights Concealed Antenna

Product Model: XY127602

Electrical Specifications

Frequency Range	820-960MHz	1710-2690MHz
Polarization Type	Vertical	$\pm 45^\circ$
Gain	7.5dBi	10.8dBi
VSWR	$\leq 1.5:1$	
Horizontal Beamwidth	$65^\circ \pm 5^\circ$	$65^\circ \pm 3^\circ$
Vertical Beamwidth	$60^\circ \pm 5^\circ$	$32^\circ \pm 5^\circ$
Front-to-back Ratio	$\geq 16\text{dB}$	$\geq 14\text{dB}$
Input Impedance	50 Ω	
Max power	100W	
Lightning Protection	DC Ground	



Mechanical Specifications

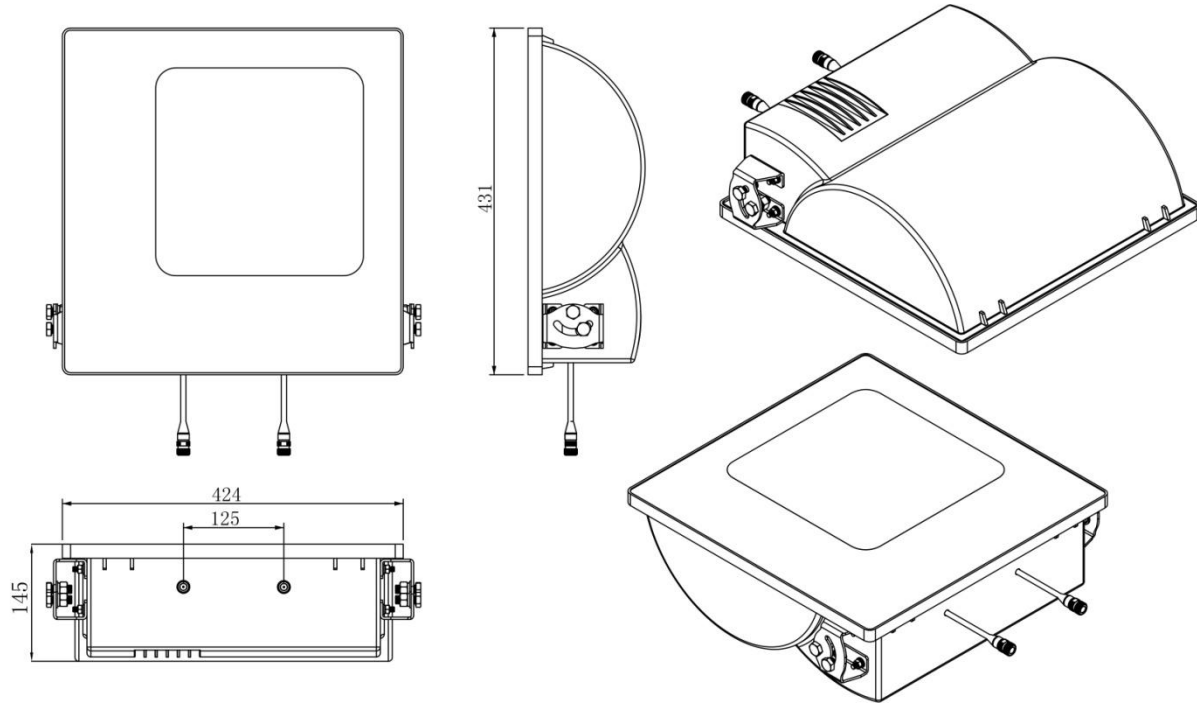
Connector Type	2*N Female
Dimensions (L*W*H)	431*424*145mm (17.0*16.7*5.7in)
Radiating Element Material	Aluminum
Reflector Material	Aluminum
Weight	3.5kg
Radome Material	UABS
Radome Color	White
Mounting Pole	Lawn Mounting
Operating Temperature	-40°C~60°C
Max Wind Velocity	200 km/h

Add: No.11 GuangMing new RD, DongCheng area, DongGuan City, China
Tel: +86 - 769-22333955 Fax: +86 - 769-22000020
E-mail: xingyue@xytx86.com Website: <http://xytx86.com>



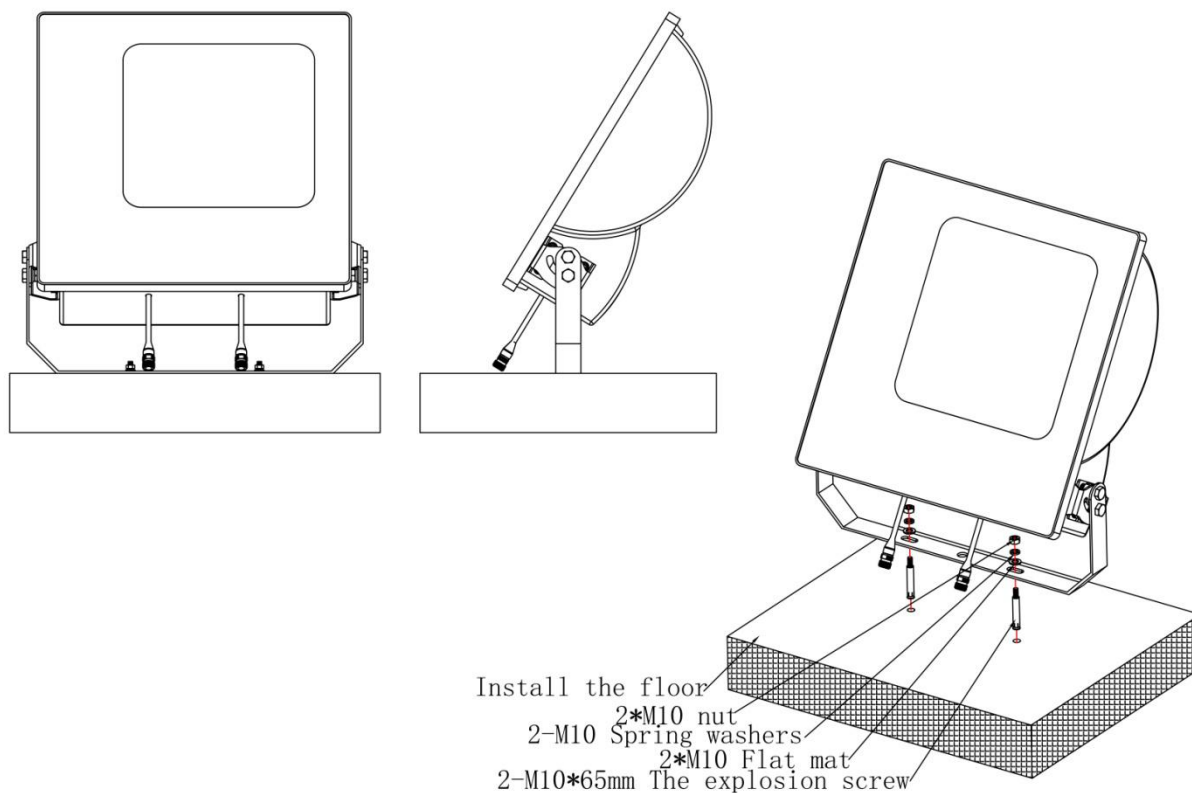
XingYue Communication Technology Co., Ltd.

Product Diagram:

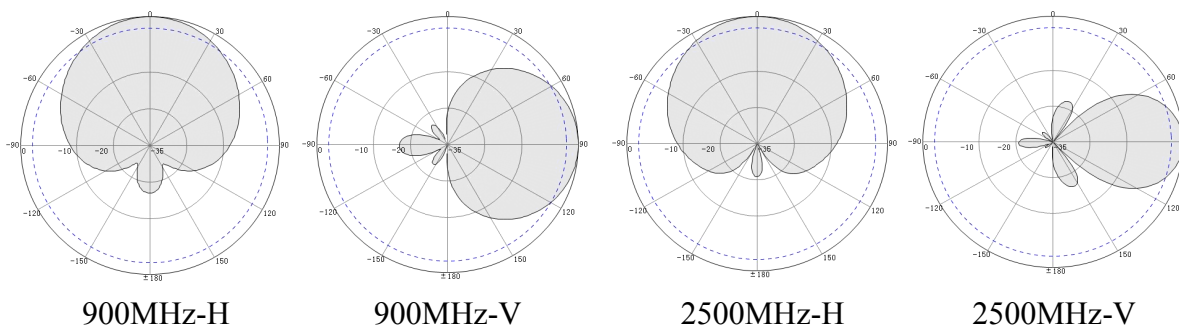


Add: No.11 GuangMing new RD, DongCheng area, DongGuan City, China
Tel: +86 - 769-22333955 Fax: +86 - 769-2200020
E-mail: xingyue@xytx86.com Website: <http://xytx86.com>

Installation Guide:



Directional Pattern:



PS:

H: Horizontal Pattern

V: Vertical Pattern