



XingYue Communication Technology Co.,Ltd.

Product Name: Ceiling Antenna

Product Model: XY113602

Electrical Specifications

Frequency Range	800-960MHz	1710-2500MHz
Polarization Type	Vertical	
Gain	2.5±0.5dBi	5±1dBi
VSWR	≤1.5:1	≤1.5:1
Horizontal Beamwidth	360°	360°
Vertical Beamwidth	85° ±5°	45° ±5°
Out of Roundness	±1°	±2°
Input Impedance	50 Ω	
Max power	50W	
Lightning Protection	DC Ground	

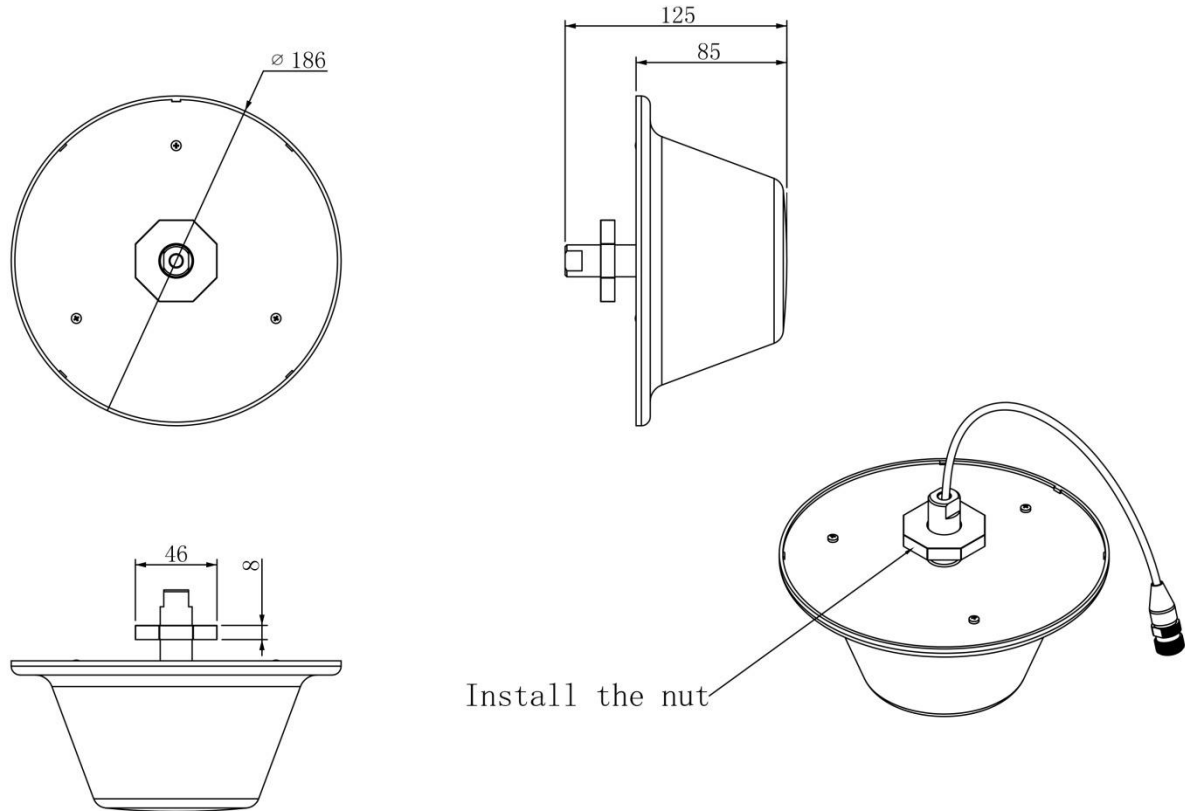
Mechanical Specifications

Connector Type	N Female
Dimensions (D*H)	φ 186*80mm(φ 7.3*3.1in)
Radiating Element Material	Aluminum
Reflector Material	Aluminum
Weight	0.45kg
Radome Material	UABS
Radome Color	White
Mounting	Ceiling Mounting
Cable	RG58U
Operating Temperature	-40°C~60°C

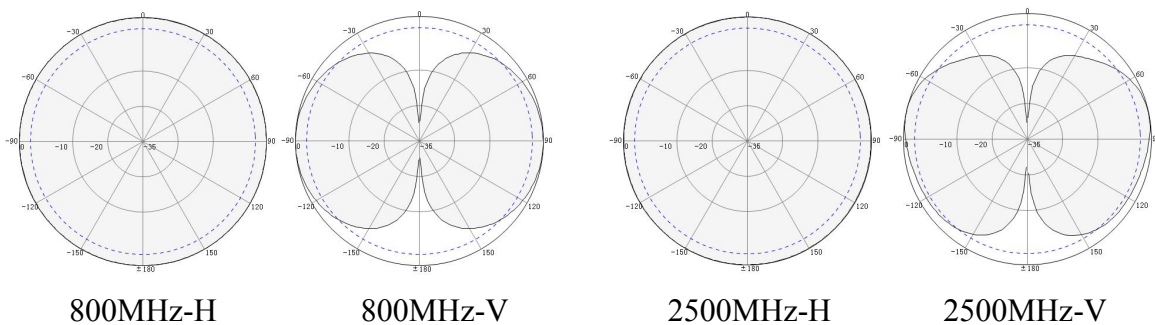


Add:No.11 GuangMing new RD, DongCheng area, DongGuan City, China
Tel: +86 - 769-22333955 Fax: +86 - 769-22000020
E-mail: xingyue@xytx86.com Website: <http://xytx86.com>

Product Diagram:



Directional Pattern:



PS:

H: Horizontal Pattern

V: Vertical Pattern