



XingYue Communication Technology Co., Ltd.

Product Name: Panel Antenna

Product Model: XY231401

Electrical Specifications

Frequency Range	3300-3800MHz
Polarization Type	Vertical and Horizontal
Gain	17±1dBi
VSWR	≤1.5:1
Horizontal Beamwidth	90° ±5°
Vertical Beamwidth	7° ±2°
Front-to-back Ratio	≥28dB
Isolation Between	≥30dB
Input Impedance	50 Ω
Max Power	50 W
Lightning Protection	DC Ground

Mechanical Specifications

Connector Type	4*N Female
Dimensions (L*W*H)	740*285*90mm (29.1*11.2*3.5in)
Radiating Element Material	Aluminum
Reflector Material	Aluminum
Weight	9kg
Radome Material	UPVC
Radome Color	Gray
Mounting Pole	Φ40~65mm
Operating Temperature	-40°C~60°C
Max Wind Velocity	200 km/h



Add:No.11 GuangMing new RD, DongCheng area, DongGuan City, China
Tel: +86 - 769-22333955
E-mail:xingyue@xytx86.com

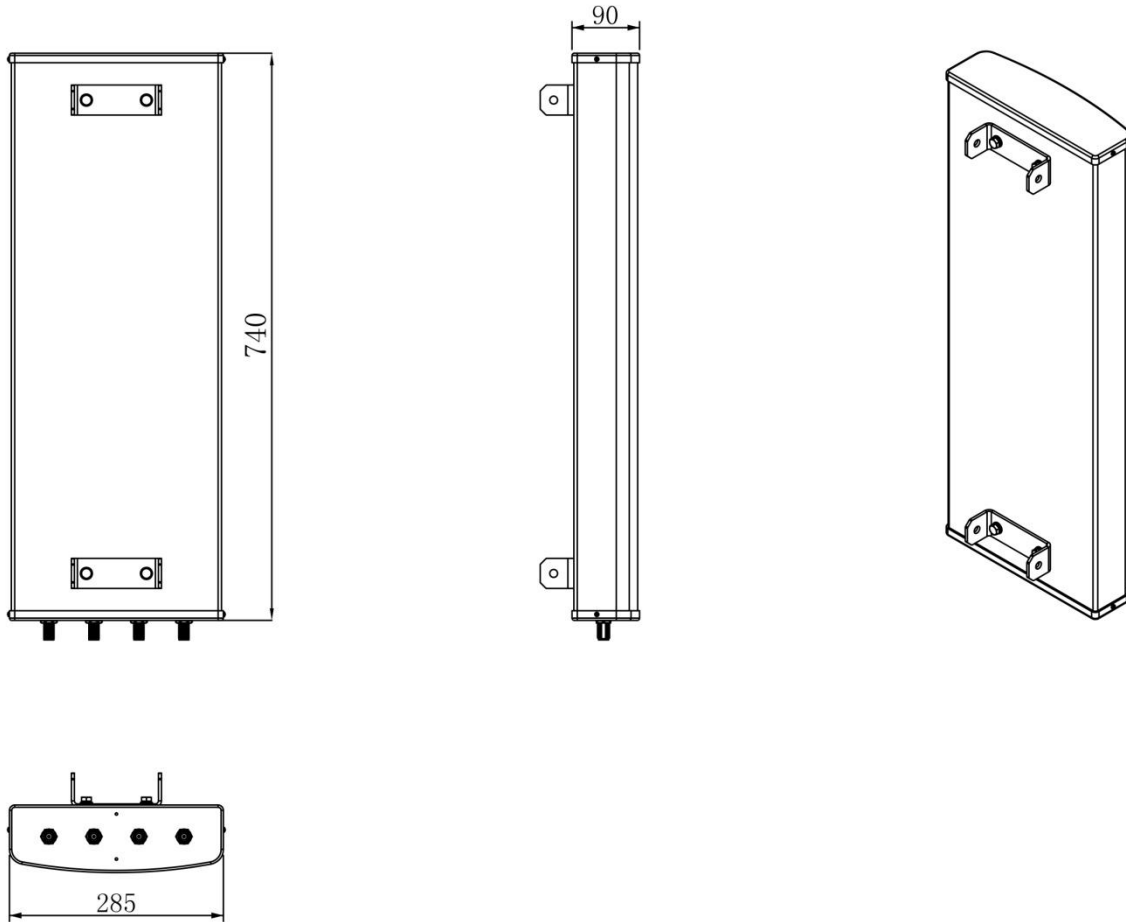
Fax: +86 - 769-2200020

Website:<http://xytx86.com>

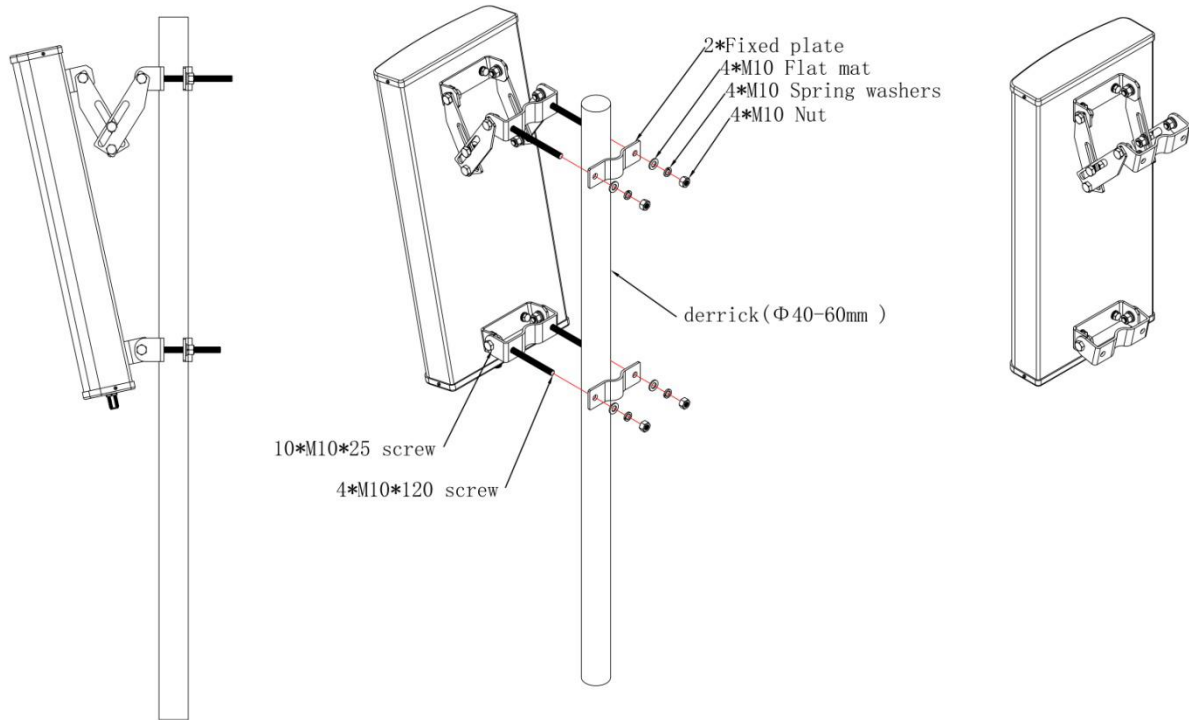


XingYue Communication Technology Co., Ltd.

Product Diagram:



Installation Guide:



Directional Pattern:

